

**Serie | 4, Telescopic cooker hood, 60 cm, Silver metallic DFS067A51B**

**A**



**Telescopic cooker hoods extend when in use and slide neatly away when not in operation.**

- **Extra quiet:** maximum extractor performance with minimal noise.
- **Grease filtration level:** filters out over 85% of the grease from kitchen air.
- **EcoSilence Drive:** our highly efficient motor saves on energy, not on performance.
- **LED Illumination:** The energy-saving lighting provides bright and clear lighting for the hob area.
- **Intensive speed setting:** removes strong kitchen odours quickly and effectively.

**Technical Data**

Typology :	Pull-out
Approval certificates :	CE, VDE
Length of electrical supply cord (cm) :	175
Required niche size for installation (HxWxD) :	385mm x 524.0mm x 290mm
Minimum distance above an electric hob :	430
Minimum distance above a gas hob :	650
Net weight (kg) :	10.809
Type of control :	Electronic
Maximum output air extraction (m <sup>3</sup> /h) :	399
Boost position output recirculating (m <sup>3</sup> /h) :	483.0
Maximum output recirculating air (m <sup>3</sup> /h) :	295
Boost position air extraction (m <sup>3</sup> /h) :	728
Number of lights (Stck) :	2
Noise level (dB(A) re 1 pW) :	53
Diameter of air outlet (mm) :	120 / 150
Grease filter material :	Washable stainless steel
EAN code :	4242005232062
Connection rating (W) :	144
Current (A) :	10
Voltage (V) :	220-240
Frequency (Hz) :	50; 60
Plug type :	GB plug
Installation type :	Built-in

**Optional accessories**

- DSZ4561 : Standard odor filter (replacement)
- DSZ4565 : Standard recirculation kit
- DSZ4660 : Lowering frame
- DWZ0IT0P0 :
- DWZ1IT1D1 : Long Life recirculation kit external
- DWZ1IX1B6 : Clean Air Plus odor filter (replacement)
- DWZ1IX1C6 : Clean Air Plus recirc. kit external



## Serie | 4, Telescopic cooker hood, 60 cm, Silver metallic DFS067A51B

**Telescopic cooker hoods extend when in use  
and slide neatly away when not in operation.**

### Planning and installation information

- Telescopic easy installation
- For installation into a 60cm wide cupboard
- Dimensions (HxWxD): 426 x 598 x 290 mm
- Built-in dimensions (HxWxD): 385 x 524 x 290 mm
- Diameter pipe Ø 150 mm (Ø 120 mm enclosed)
- Electrical cable length 1.75 m

*\* In accordance with the EU-Regulation No 65/2014*

### Features

- Electronic control via Soft touch button control
- 3 power levels & intensive setting
- 2 x 1,5W LED
- Efficient BLDC technology
- Automatic intensive revert (6mins)
- Automatic after running (Automatic after running (10 min))
- 2 removable metal grease filter cassettes

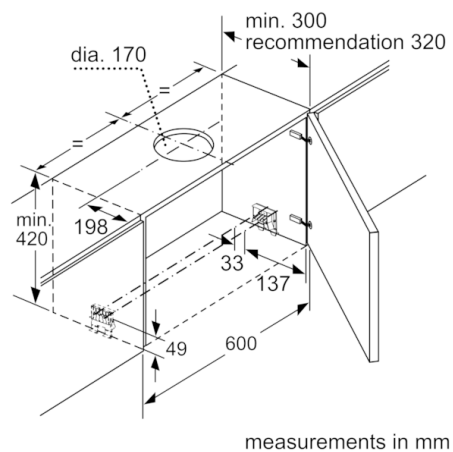
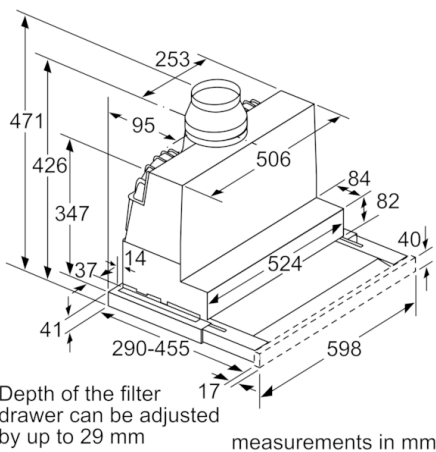
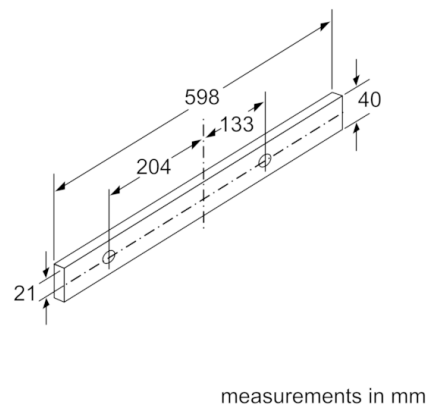
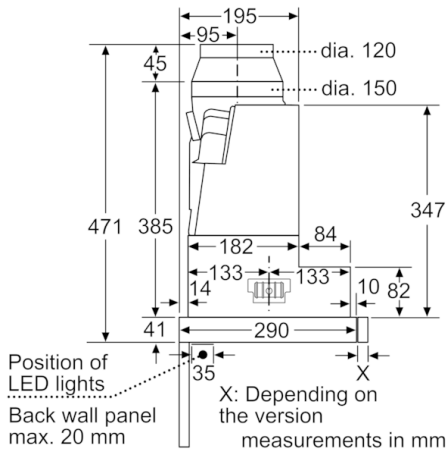
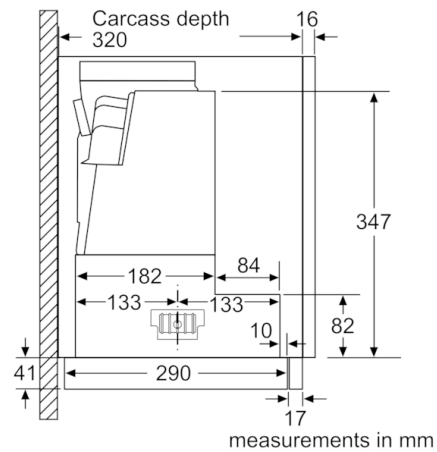
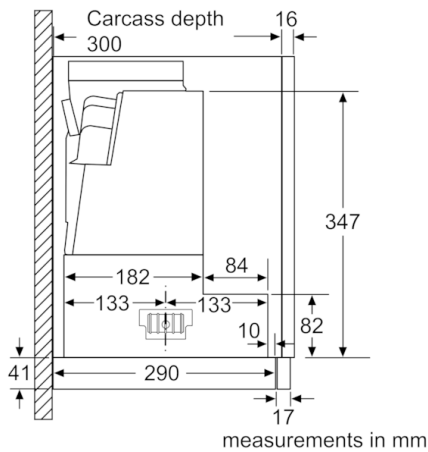
### Design

- 60 cm wide
- Silver metallic lacquer
- Handle strip specification: stainless steel with logo
- Steel filter cover

### Performance

- Suitable for ducted or recirculating operation
- For recirculated extraction recirculating kit or CleanAir recirculating kit (accessory) needed
- Energy Efficiency Class: A (at a range of energy efficiency classes from A+++ to D)
- Extraction rate according to EN 61591 max. 728 m<sup>3</sup>/h
- Extraction rate according to EN 61591 ø 15 cm:  
max. Normal use 399 m<sup>3</sup>/h  
Intensive 728 m<sup>3</sup>/h
- Noise level according to EN 60704-3 and EN 60704-2-13 at  
max. normal use exhaust air: 53 dB(A) re 1 pW
- Extraction rate exhaust air according to EN 61591:  
max. normal use 399 m<sup>3</sup>/h, intensive 728 m<sup>3</sup>/h
- With the Clean Air Plus recirculation kit (available as optional  
accessory) your appliances reaches:  
Extraction rate in recirculation mode:  
Max. normal use: 358 m<sup>3</sup>/h  
Intensive: 628 m<sup>3</sup>/h  
Noise level in recirculation mode:  
Max. normal use: 60 dB(A) re 1 pW  
Intensive: 71 dB(A) re 1 pW
- 2 single inlet vertical, Efficient BLDC technology
- Colour Temperature: 3500 K
- Light Intensity: 294 lux
- Power rating: 144 W
- Average Energy Consumption: 37.9 kWh/year\*
- Blower Efficiency Class: B\*
- Lighting Efficiency Class: A\*
- Grease Filtering Efficiency Class: B\*

**Serie | 4, Telescopic cooker hood, 60 cm,  
Silver metallic  
DFS067A51B**



**Serie | 4, Telescopic cooker hood, 60 cm,  
Silver metallic  
DFS067A51B**

